



Westinghouse

ISOLATION SWITCH



CE



Leading The Future of Electrification

- A Global Heritage Brand with 130 Years of Product Innovation
- Perfect Products, Creative Services, and Competitive Price

Since 1886, Westinghouse Has Brought The Best To Life.

Westinghouse remains a trusted name globally in consumer and industrial products. Built on a heritage of innovation and entrepreneurial spirit, Westinghouse products were the first to supply the United States with AC electric power, transmit a commercial radio broadcast and capture man's first step on the moon. Today, Westinghouse continues to grow its diverse portfolio with a wide range of product categories that include home appliances, consumer electronics, lighting and power generation.



ISOLATION SWITCH



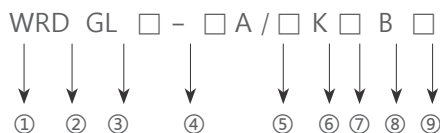
WRDGL Series

Product Description

WRDGL series isolation switch adopts modular design structure and glass fiber reinforced unsaturated polyester resin casing. It has very high dielectric property, and suitable for safe operation. The operation mechanism is a spring-accumulating and accelerating instant-release device, which makes instant making and breaking of the double gap contact. It is no relationship with the speed of operation handle. The product complies to IEC 60947-3.



Model



①	Model (WRD)
②	Load isolation switch code (GL)
③	C side operation; Z Outlet; Z2 Inlet
④	Conventional thermal current
⑤	Number of Pole: 3 poles; 4 poles (poles+on and off neutral pole)
⑥	The window for direct observing the contact. Donot need not to note.
⑦	Functional code of auxiliary contact (Attached table).Donot need not to note.
⑧	The connection behind the plate, Donot note if connection in front of plate.
⑨	J operation outside of the board; H operation behind of the board.Donot need not to note.

One NO One NC	F11	F1NO+F1NC
Two NO Two NC	F22	F2NO+F2NC

Characteristics



- Spring-storage instantaneous release of the mechanism to speed up the realization of the rapid marking and breaking (13.8 m / s), and it is nothing to do with the operation handle speed and have greatly improved the capability of extinguish electric arc.
- The glass fiber reinforced unsaturated polyester resin casing have excellent flame resistance, dielectric, resist carbonic and resist impact performances.
- Parallel double gap contact possesses self-cleaning functions.
- All the contact materials are copper alloy plated with silver, and possess two separation contact surfaces.
- Large clearance of insulation.
- When it is "0" position, the product can lock the handle with three locks at the same time, and it can avoid error operation.

WRDGL Series

General

WRDGL series load isolation switch is applicable for AC 50/60Hz, rated voltage AC 660V and below, DC 440V and below, rated current up to 3150A.



Standard

IEC 60947-1(2016)

IEC 60947-3(2016)

Operation Environment

Altitude not exceed 2000m

- Temperature: -5° C~+ 50°C, Relative humidity not more than 95%
- No explosive dangerous medium environment



Performance Feature

- 7 Frames of WRDGL series load isolation switch from 63A to 3150A is basic model of modularized design type, have 3 poles and 4 poles.
- The mark window is in the front to indicate the on and off state.
- For winder style, refer to the back operation load isolation switch WRDGL-160A-1600A/H
- Two group of auxiliary contacts can be Provided.
- The Terminal insulating cover can be Provided.



WRDGL Series

WRDGL-63A -3150A Electrical Properties and Mechanical Properties

1
ISOLATION SWITCH

Rated thermal current I _{th}		63A		100A		160A		
		40	63	80	100	125	160	
Rated current I _e		40	63	80	100	125	160	
Ref.No. 3Pole		W605163	W605164	W605165	W605166	W605167	W605168	
Ref.No. 4Pole		W605181	W605182	W605183	W605184	W605185	W605186	
Rated insulation voltage U _i (V)		750	750	750	750	750	750	
Dielectric strength (V)		5000	5000	5000	5000	5000	5000	
Rated impulse withstands voltage U _{imp} kV (Installed category IV)		6	6	6	6	8	8	
Rated working current I _e (A)	380V/415V	AC-21	40	63	80	100	125	160
		AC-22	40	63	80	100	125	160
		AC-23	40	50	80	100	125	160
	660V	AC-21	40	50	80	80	125	160
		AC-22	32	32	50	50	125	160
		AC-23	25	25	40	40	80	80
	220V	DC-21	32	63	80	100	125	125
		DC-22	40	63	80	80	125	125
		DC-23	40	63	63	63	125	125
	440V	DC-21					100	125
		DC-22					100	125
		DC-23					100	125
Motor power P(380V) kW		18.5	25	40	50	63	80	
	660V	22	22	33	33	75	75	
Rated short-time withstand current I _{cw} (kA Rms) 0.1S/1S		10/5	10/5	10/5	10/5	10/20	10/20	
Rated breaking capacity I _{cn} (A Rms) AC23 380/415V		320	504	640	800	1000	1250	
Rated marking capacity I _{cm} (A Rms) AC23 380/415V		400	630	800	1000	1250	1600	
Rated short-circuit making I _{cm} (kA)capacity		0.75	0.75	1.2	1.2	1.6	1.6	
Mechanical life (operation cycle times)		10000	10000	10000	10000	10000	10000	
Electrical life (operation cycle times) Rated voltage U _e =660V	COSΦ=0.95 AC 21	1700	1700	1700	1700	1500	1500	
	COSΦ=0.65 AC 22	100	100	100	100	1000	1000	
	COSΦ=0.35 AC 23	500	500	500	500	500	500	
Operation torque(Nm)		1.2	1.2	1.2	1.2	6.5	6.5	
Weight(Kg)	3 poles	0.37	0.37	0.37	0.37	1.3	1.3	
	4 poles	0.41	0.41	0.41	0.41	1.5	1.5	

WRDGL Series

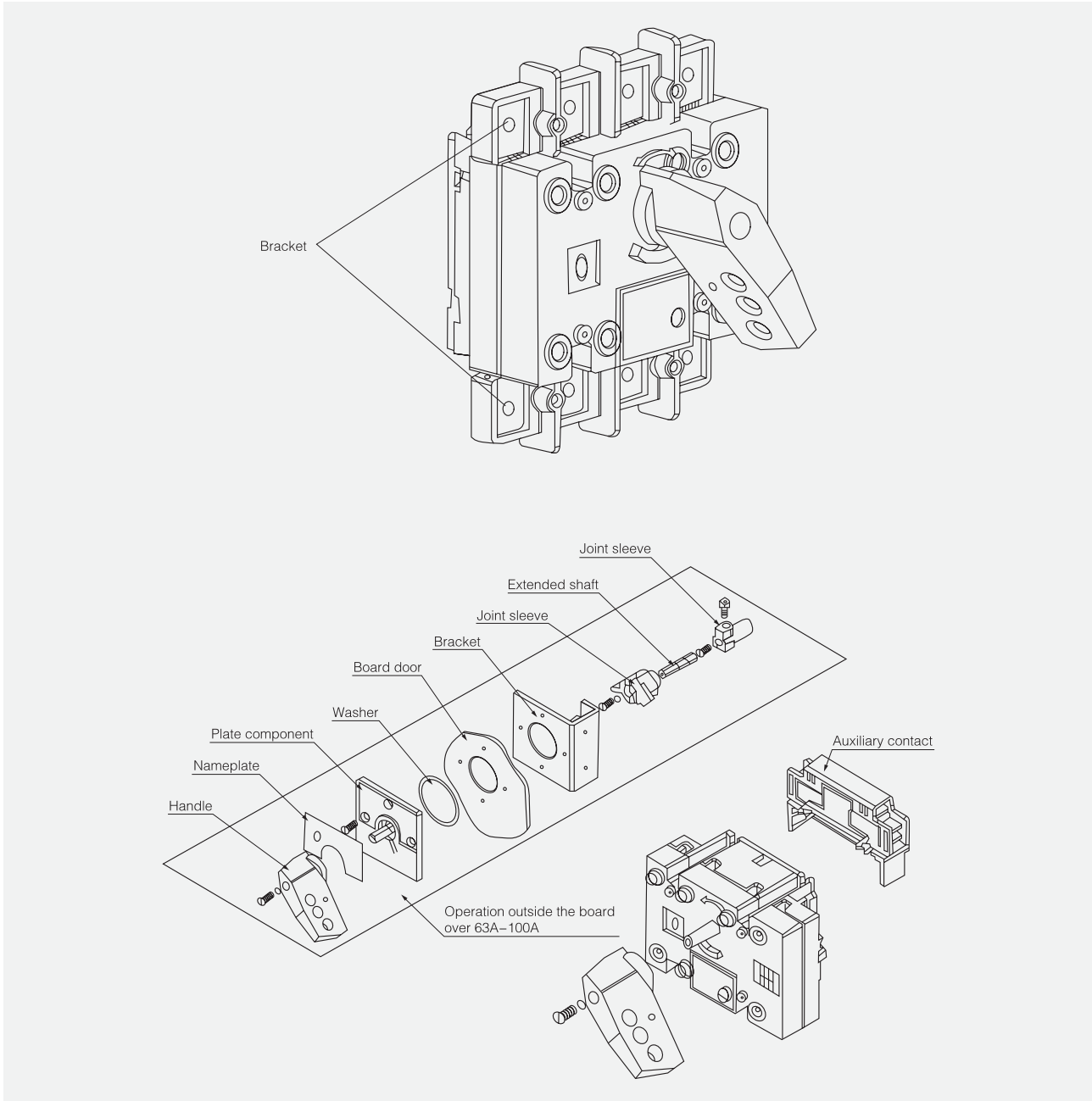
250A		630A				1600A			3150A		
200	250	315	400	500	630	1000	1250	1600	2000	2500	3150
W605169	W605170	W605171	W605172	W605173	W605174	W605175	W605176	W605177	W605178	W605179	W605180
W605187	W605188	W605189	W605190	W605191	W605192	W605193	W605194	W605195	W605196	W605197	W605198
750	750	1000	1000	1000	1000	1000	1000	1000	1000	1000	1000
5000	5000	8000	8000	8000	8000	10000	10000	10000	10000	10000	10000
8	8	12	12	12	12	12	12	12	12	12	12
200	250	315	400	500	630	1000	1250	1600	2000	2500	3200
200	250	315	400	500	630	1000	1250	1600	2000	2000	3200
200	250	315	340	425	536						
200	250	315	400	400	500	1000	1000	1600	2000	2500	2500
160	160	315	315	315	315	800	800	800	1000	1000	1000
100	125	125	125	125	125						
200	250	315	400	500	630	1000	1250	1600	2000	2500	2500
200	250	315	400	400	500	1000	1250	1250	1600	1600	1600
160	200										
160	200	315	400	400	500	1000	1250	1250	2000	2000	2000
160	200	315	400	400	500	1000	1250	1250	1250	1250	1250
160	200	315	400	400	500	1000	1000	1000			
100	132	160	220	280	315	560	560	560	710	710	710
90	110	185	185	185	185	475	475	475	750	750	750
12/30	12/30	45/20	45/20	50/25	50/25	90/50	90/50	90/50	90/50	90/50	90/50
1600	1600	2500	3200	3200	3200						
2000	2000	3150	4000	4000	4000						
17	17	30	30	40	40						
10000	10000	5500	5500	5500	5500	4000	4000	3000	2500	2500	2500
1500	1500	750	750	750	750	600	600	450			
1000	1000	500	500	500	500	400	400	300			
500	500	250	250	250	250						
10	10	14.5	14.5	14.5	14.5	37	37	60	60	60	60
2.2	2.2	4.3	4.3	4.7	4.7	10.5	10.5	16	25.5	25.5	31
2.6	2.6	5.4	5.4	6	6	13	13	20	37.5	37.5	51.5

WRDGL Series

WRDGL-63A -100A Load Isolation Switch

1

ISOLATION SWITCH

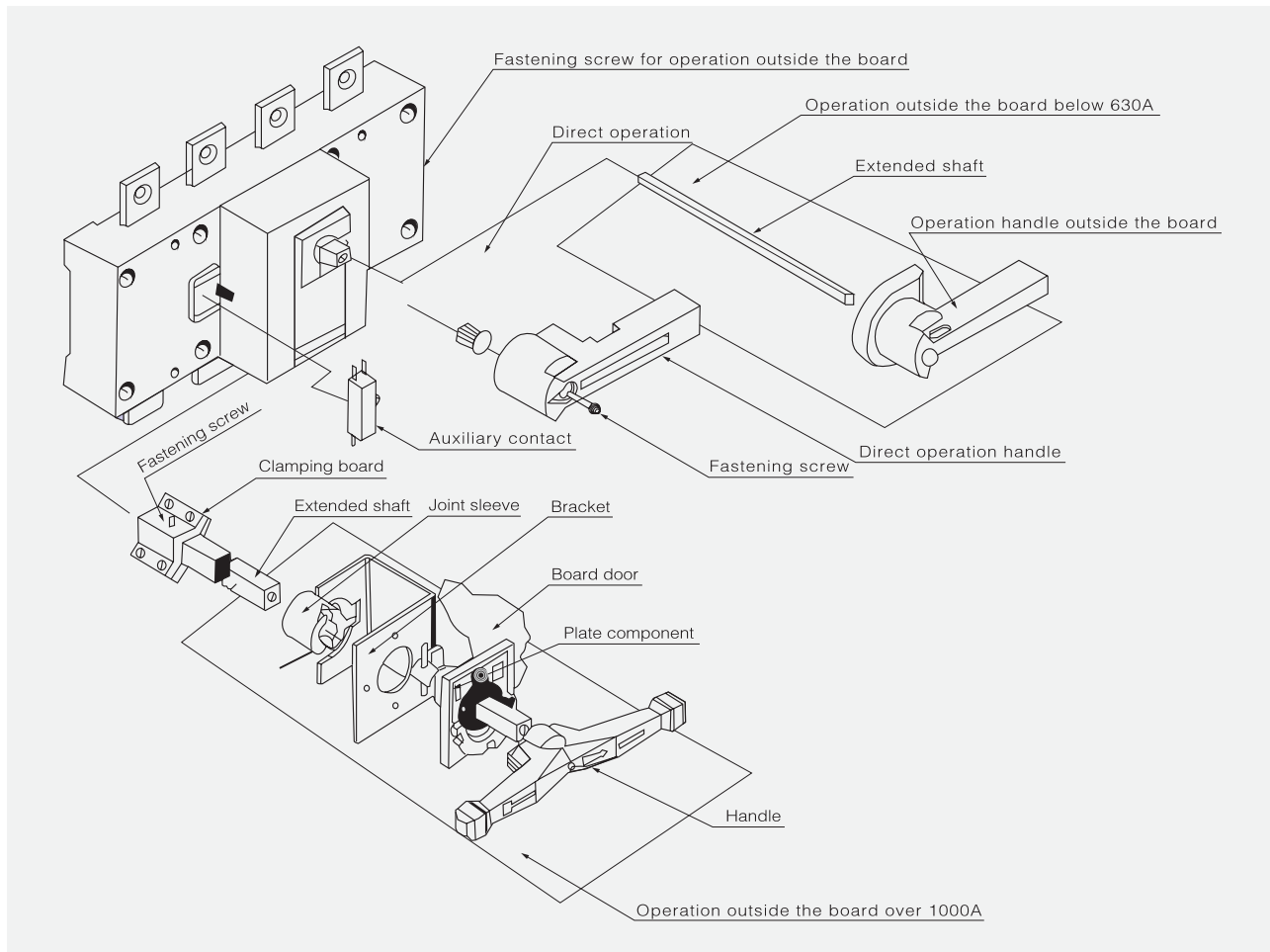


WRDGL Series

Operation Mode

1

ISOLATION SWITCH



- Direct operation: Handle in the middle position (H).
- Operation outside: Handle on the panel door (I)

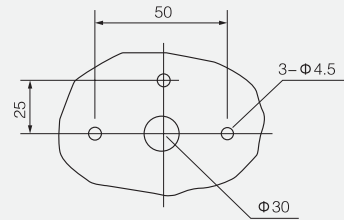
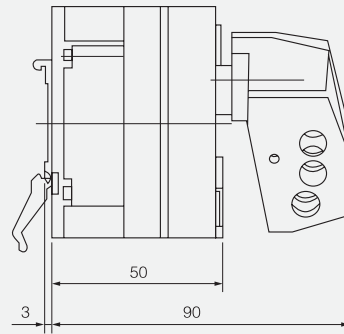
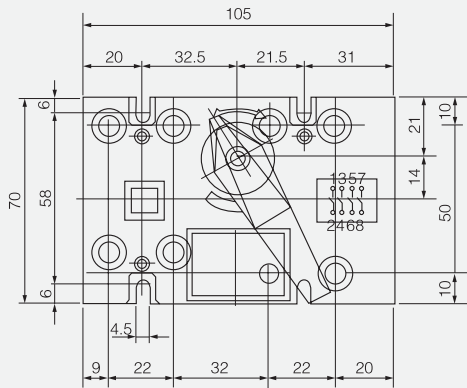
WRDGL Series

WRDGL-63A -100A Overall and Mounting Dimensions (mm)

1

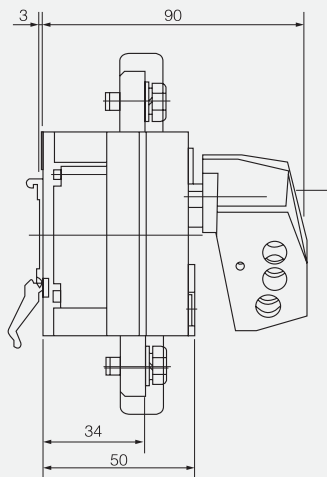
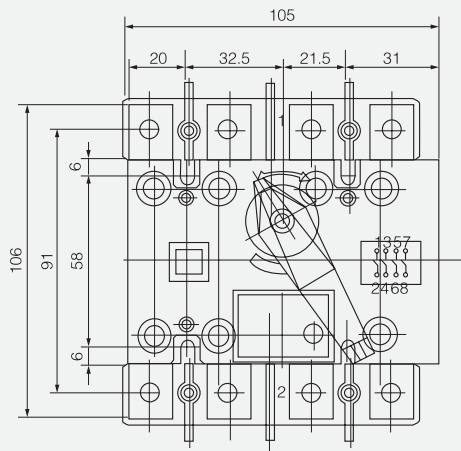
ISOLATION SWITCH

- WRDGL-63A Direct operation



Door cutout for door mounted handle where applicable

- WRDGL-100A Direct operation

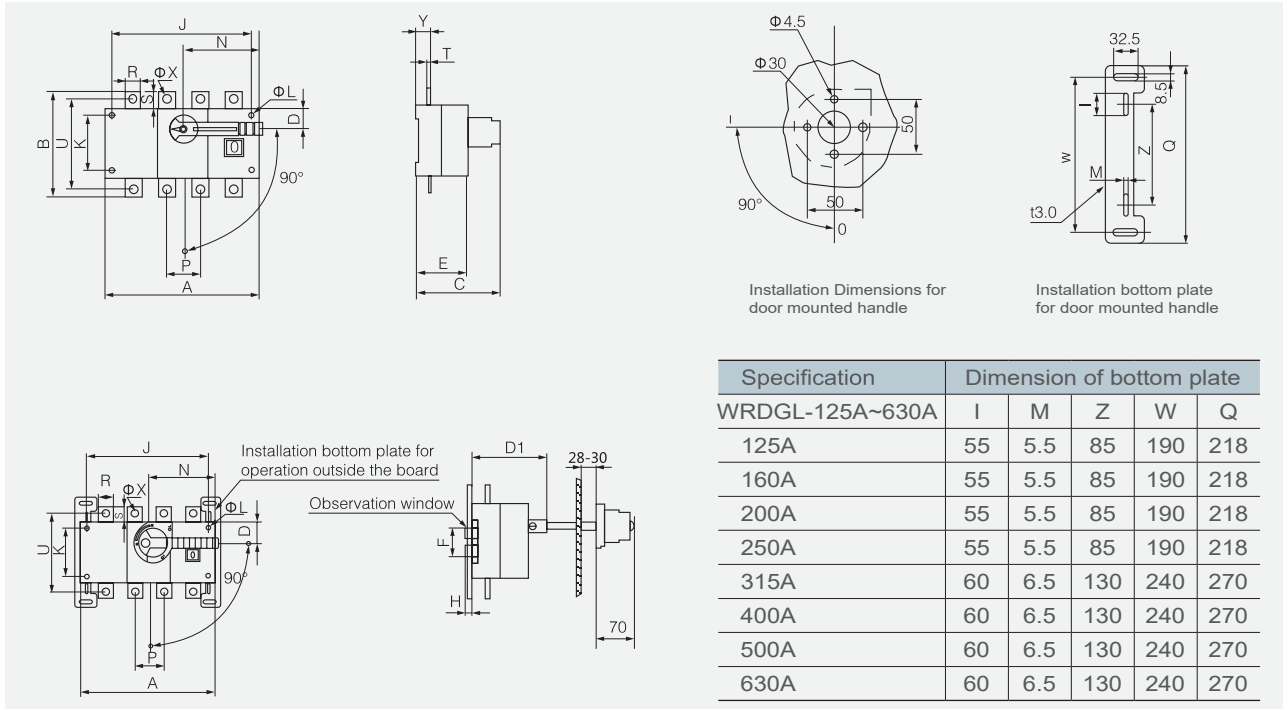


WRDGL Series

WRDGL-125A-630A Load Isolation Switch

1

ISOLATION SWITCH

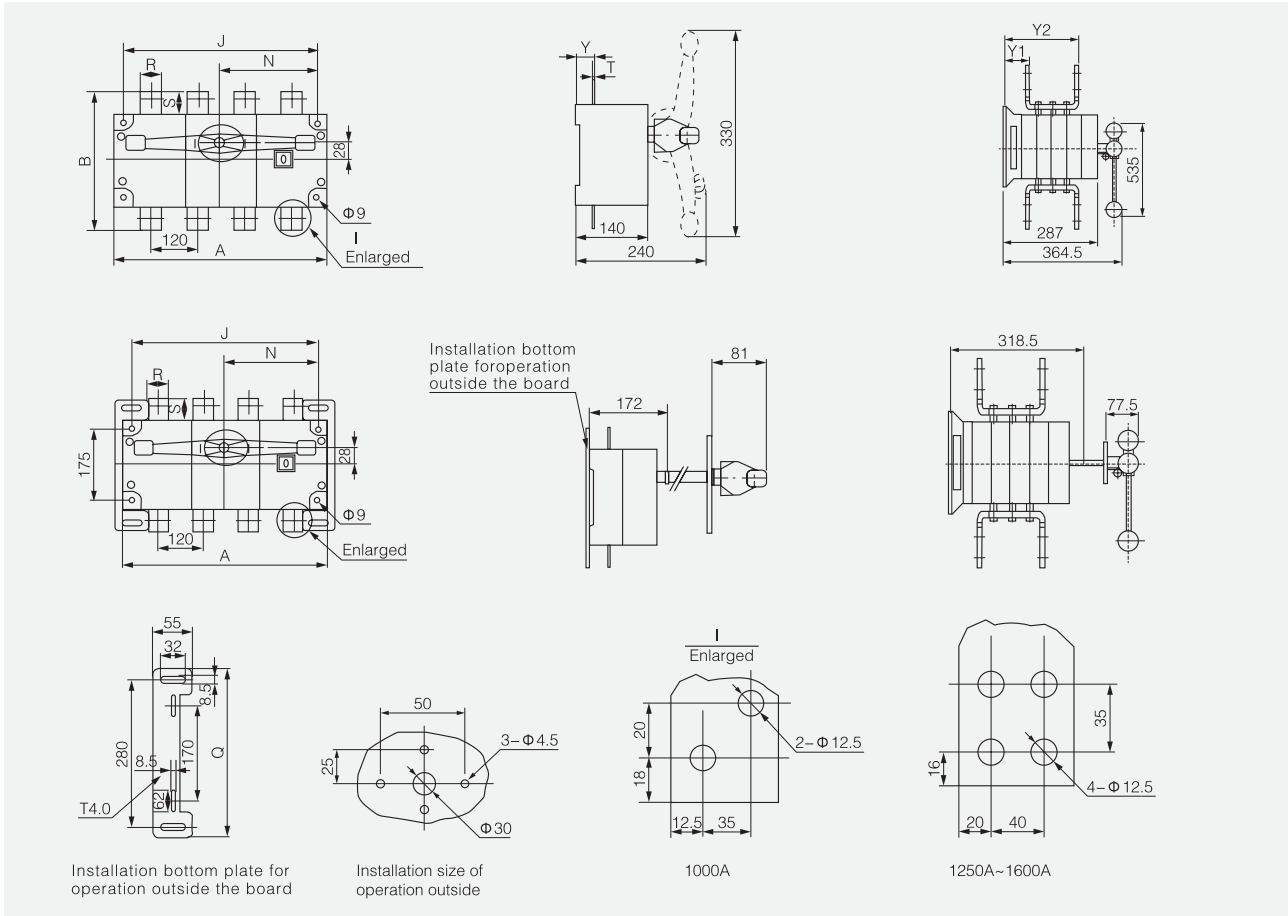


Specification	Dimension of bottom plate				
WRDGL-125A~630A	I	M	Z	W	Q
125A	55	5.5	85	190	218
160A	55	5.5	85	190	218
200A	55	5.5	85	190	218
250A	55	5.5	85	190	218
315A	60	6.5	130	240	270
400A	60	6.5	130	240	270
500A	60	6.5	130	240	270
630A	60	6.5	130	240	270

Specification	Overall and mounting dimensions																				
In	A	A1	B	C	D	D1	E	ΦL	J	J1	K	N	P	R	S	T	U	ΦX	Y	F	H
125A/3	140	50	135	92	27	92	73	5.5	120	120	65	85	36	20	25	3.5	85	9	24	52	10
125A/4	170	50	135	92	27	92	73	5.5	150	150	65	85	36	20	25	3.5	85	9	24	52	10
160A/3	140	50	135	92	27	92	73	5.5	120	120	65	85	36	20	25	3.5	85	9	24	52	10
160A/4	170	50	135	92	27	92	73	5.5	150	150	65	85	36	20	25	3.5	85	9	24	52	10
200A/3	180	60	170	103	35	104	83	5.5	160	160	90	115	50	25	30	3.5	110	11	25	79	13
200A/4	230	60	170	103	35	104	83	5.5	210	210	90	115	50	25	30	3.5	110	11	25	79	13
250A/3	180	60	170	103	35	104	83	5.5	160	160	90	115	50	25	30	3.5	110	11	25	79	13
250A/4	230	60	170	103	35	104	83	5.5	210	210	90	115	50	25	30	3.5	110	11	25	79	13
315A/3	230	85	240	134	50	133	113	7	210	210	140	145	65	30	40	5	160	11	36	100	24
315A/4	290	85	240	134	50	133	113	7	270	270	140	145	65	30	40	5	160	11	36	100	24
400A/3	230	85	240	134	50	133	113	7	210	210	140	145	65	30	40	5	160	11	36	100	24
400A/4	290	85	240	134	50	133	113	7	270	270	140	145	65	30	40	5	160	11	36	100	24
500A/3	230	85	260	134	50	133	113	7	210	210	140	145	65	40	50	6	160	12	36	100	24
500A/4	290	85	260	134	50	133	113	7	270	270	140	145	65	40	50	6	160	12	36	100	24
630A/3	230	85	260	134	50	133	113	7	210	210	140	145	65	40	50	6	160	12	36	100	24
630A/4	290	85	260	134	50	133	113	7	270	270	140	145	65	40	50	6	160	12	36	100	24

WRDGL Series

WRDGL-1000A-3150A Load Isolation Switch Overall And Mounting Dimensions (mm)



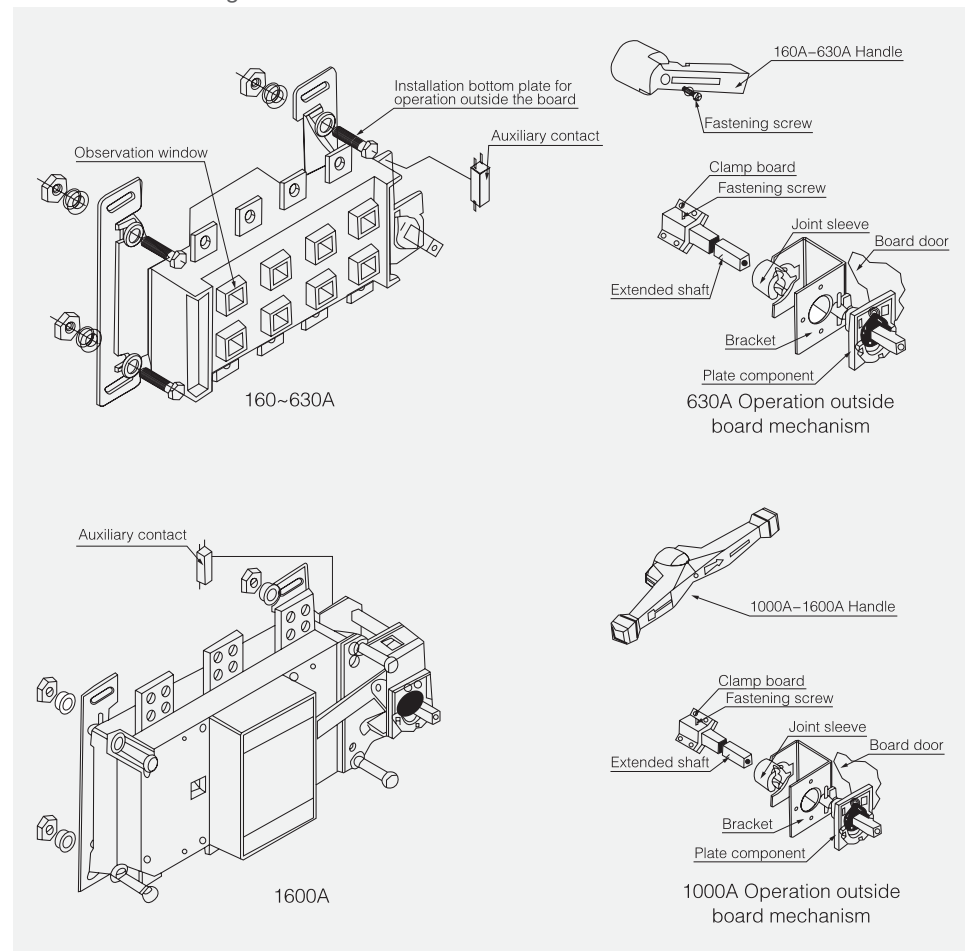
Specification	Overall and mounting dimensions																	
In	A	A1	B	D	E	F	G	J	J1	N	R	S	T	U	Y	Y1	Y2	Q
1000A/3	378	105	312					353	353	186	60	68	8	200	48			311
1000A/4	492	105	312					467	467	246	60	68	8	200	48			311
1250A/3	378	105	338	20	40	16	35	353	353	186	80	68	8	200	48			311
1250A/4	492	105	338	20	40	16	35	467	467	246	80	68	8	200	48			311
1600A/3	378	105	338	20	40	16	35	353	353	186	80	68	10	200	49			311
1600A/4	492	105	338	20	40	16	35	467	467	246	80	68	10	200	49			311
2000A/3	378		455	20	40	20	40	353	353	186	80	68	10	200		75.5	227.5	311
2000A/4	492		455	20	40	20	40	467	467	246	80	68	10	200		75.5	227.5	311
2500A/3	378		455	20	40	20	40	353	353	186	80	68	10	200		75.5	227.5	311
2500A/4	492		455	20	40	20	40	467	467	246	80	68	10	200		75.5	227.5	311
3150A/3	378		505	25	50	25	50	353	353	186	100	68	14	200		78	230	311
3150A/4	492		505	25	50	25	50	467	467	246	100	68	14	200		78	230	311

WRDGLC Series (Side Operation)

WRDGLC-160A-1600A Side Operation Load Isolating Switch



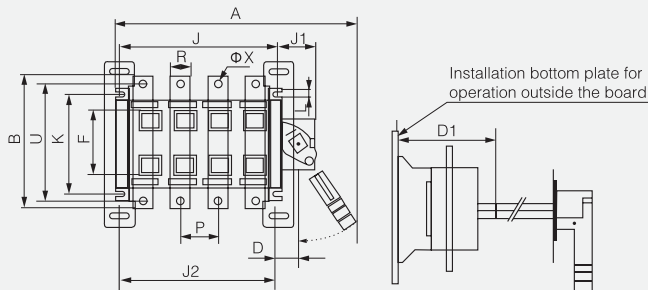
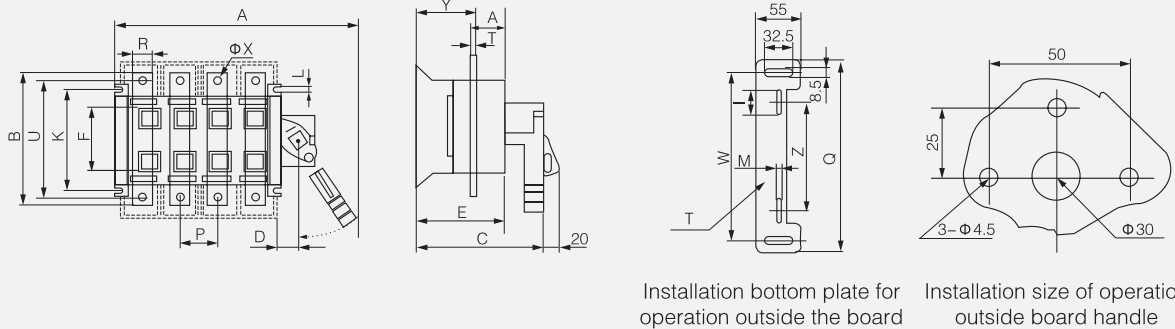
- WRDGLC-160A-1600A is applied for the circuit making and breaking or electric insulation. It has three poles and four poles (three poles + on and off neutral pole), and switches over 1000A are only suitable for electric isolation.
- The product with observation window can be provided according to the demand to observe directly the on and off state of contact.
- Mode of operation:
 Direct operation: handle is installed on the right side of switch
 Operation outside: handle is installed outside the door of power distribution board.
- Two groups of auxiliary contacts can be assembled.
- Extended shaft is used for the operation outside the board.
- Mechanical performance and electrical performance correspond to WRDGL-160A-1600A property
- The cable insulating cover can be assembled.



WRDGLC Series (Side Operation)

WRDGLC-160A-630A Overall And Mounting Dimensions Of Side Operation Load Isolation Switch

ISOLATION SWITCH



Specification	Dimension of bottom plate					
	I	M	Z	W	Q	T
125-630A						
125A	55	6.5	110	216	244	3
160A	55	6.5	110	216	244	3
200A	55	6.5	110	216	244	3
250A	55	6.5	110	216	244	3
315A	60	8.5	170	280	311	4
400A	60	8.5	170	280	311	4
500A	60	8.5	170	280	311	4
630A	60	8.5	170	280	311	4

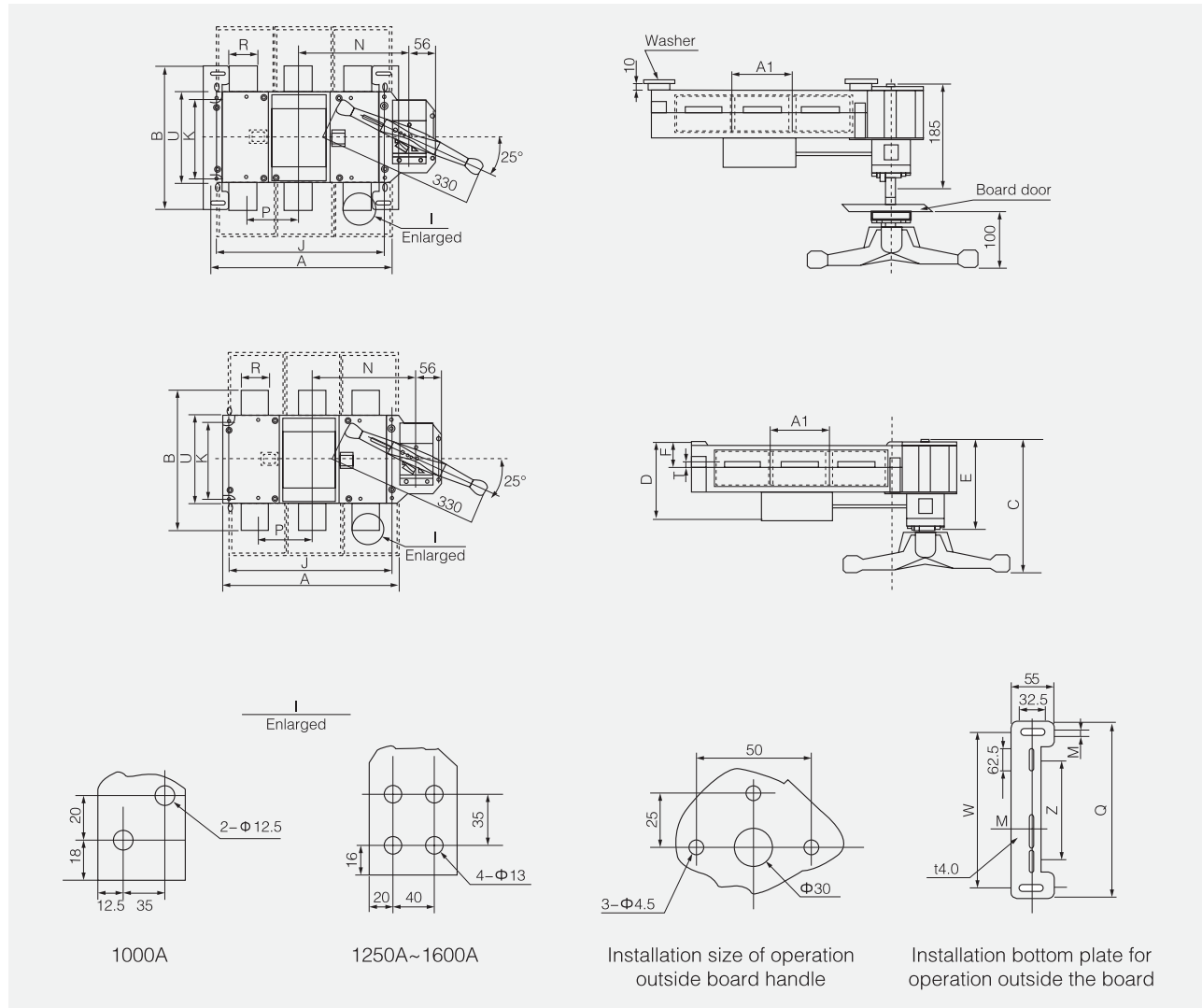
Specification	Ref.No.	Overall and mounting dimensions																		
		A	A1	B	C	D	D1	E	J	J1	J2	K	P	R	T	U	ΦX	Y	L	F
125A/3	W605200	267	50	135	146	29	123	88	120	65	120	95	36	20	3.5	85	9	55	7	52
125A/4	W605201	297	50	135	146	29	123	88	150	65	150	95	36	20	3.5	85	9	55	7	52
160A/3	W605202	267	50	135	146	29	123	88	120	65	120	95	36	20	3.5	85	9	55	7	52
160A/4	W605203	297	50	135	146	29	123	88	150	65	150	95	36	20	3.5	85	9	55	7	52
200A/3	W605204	300	60	170	154	30	133	98	160	65	160	116	50	25	3.5	110	11	64	9	79
200A/4	W605205	350	60	170	154	30	133	98	210	65	210	116	50	25	3.5	110	11	64	9	79
250A/3	W605206	300	60	170	154	30	133	98	160	65	160	116	50	25	3.5	110	11	64	9	79
250A/4	W605207	350	60	170	154	30	133	98	210	65	210	116	50	25	3.5	110	11	64	9	79
315A/3	W605208	400	85	240	199	45	162	127	210	77	210	180	65	30	5	160	11	83	11	100
315A/4	W605209	460	85	240	199	45	162	127	270	77	270	180	65	30	5	160	11	83	11	100
400A/3	W605210	400	85	240	199	45	162	127	210	77	210	180	65	30	5	160	11	83	11	100
400A/4	W605211	460	85	240	199	45	162	127	270	77	270	180	65	30	5	160	11	83	11	100
500A/3	W605212	400	85	260	199	45	162	127	210	77	210	180	65	40	5	160	12	83	11	100
500A/4	W605213	460	85	260	199	45	162	127	270	77	270	180	65	40	5	160	12	83	11	100
630A/3	W605214	400	85	260	199	45	162	127	210	77	210	180	65	40	5	160	12	83	11	100
630A/4	W605215	460	85	260	199	45	162	127	270	77	270	180	65	40	5	160	12	83	11	100

WRDGLC Series (Side Operation)

WRDGLC-1000A-1600A Overall and Mounting Dimensions Of Side Operation Load Isolation Switch

1

ISOLATION SWITCH



1000A

1250A~1600A

Installation size of operation outside board handle

Installation bottom plate for operation outside the board

Specification	Ref.No.	Overall and mounting dimensions																
		A	A1	B	D	E	F	J	K	M	N	P	Q	R	U	T	W	Z
1000A/3	W605216	378	105	312	140.5	163	353	357	175	8.5	226	120	311	60	200	8	280	224
1000A/4	W605217	492	105	312	140.5	163	467	467	175	8.5	286	120	311	60	200	8	280	224
1250A/3	W605218	378	105	338	140.5	163	353	357	175	8.5	226	120	311	80	200	8	280	224
1250A/4	W605219	492	105	338	140.5	163	467	467	175	8.5	286	120	311	80	200	8	280	224
1600A/3	W605220	378	105	338	140.5	163	353	357	175	8.5	226	120	311	80	200	20	280	224
1600A/4	W605221	492	105	338	140.5	163	467	467	175	8.5	286	120	311	80	200	20	280	224

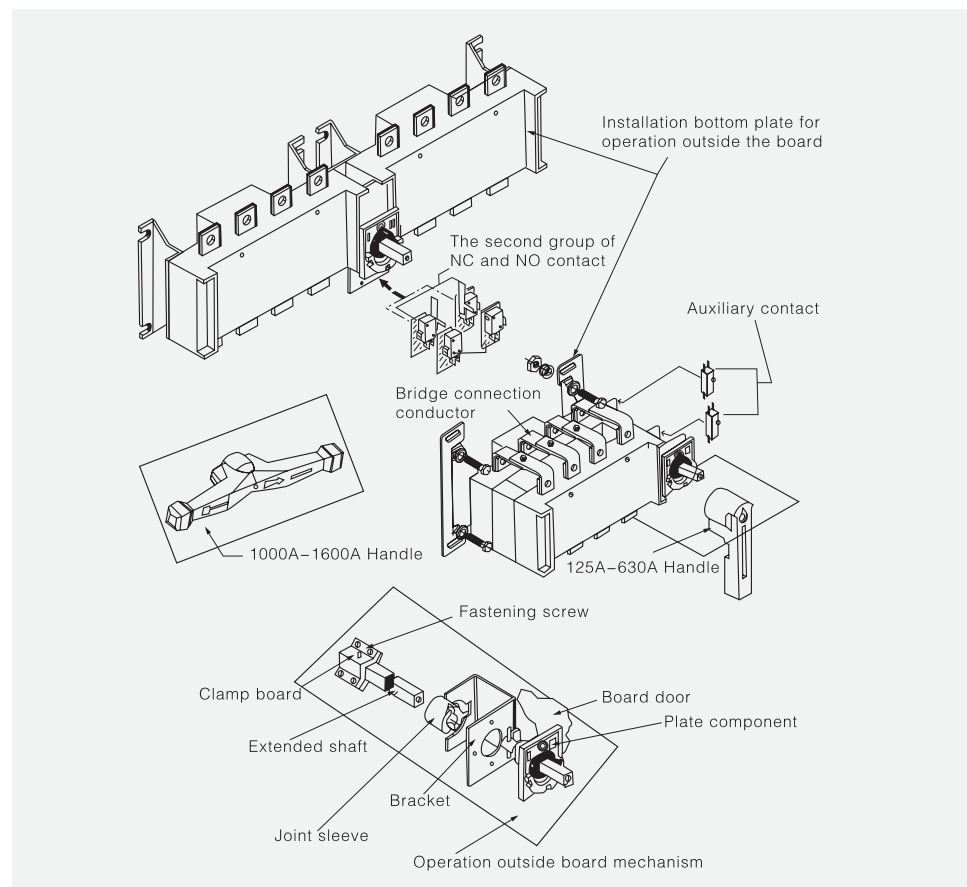
WRDGLZ Series (Changeover)

WRDGLZ-125 -3150A Changeover Load Isolation Switch



- WRDGLZ-125-3150A is applied to changeover two groups of low voltage electric circuit or two groups of load devices or safety isolation.
- Mode of operation:
 Direct operation: handle is installed on the switch
 Operation outside: handle is installed outside the door of power distribution board.
- The product with observation window can be provided according to the demand to observe directly the on and off state of contact.
- It has three poles and four poles (three poles + on and off neutral pole)
- Two groups of auxiliary contacts can be assembled.
- Extended shaft is used for the operation outside the board.
- Mechanical performance and electrical performance correspond to WRDGL-125A-3150A property.
- The bridge connecting conductor can be provided to connect the inlet or outlet terminals of the switch.

Note: The bridge connection is chosen, and it needs to indicate the inlet or outlet connection with it.

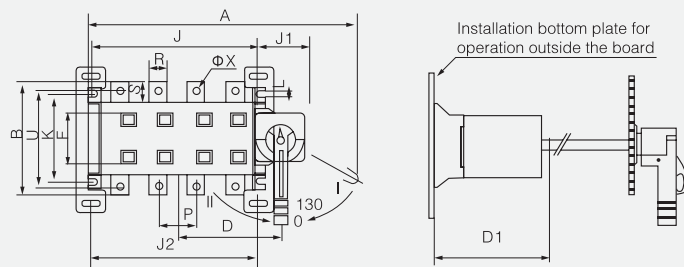
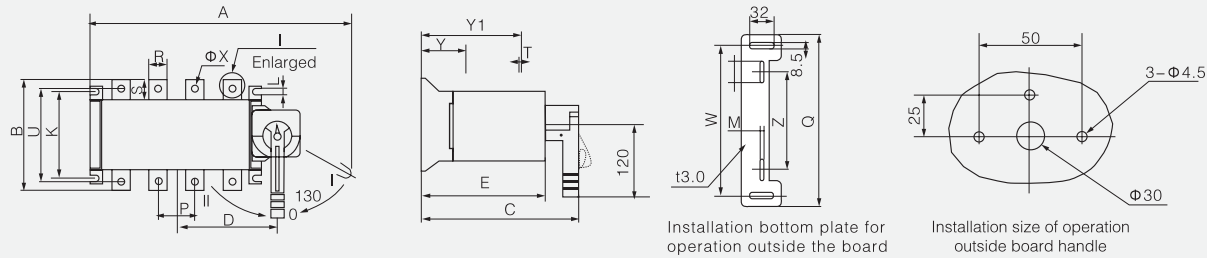


WRDGLZ Series (Changeover)

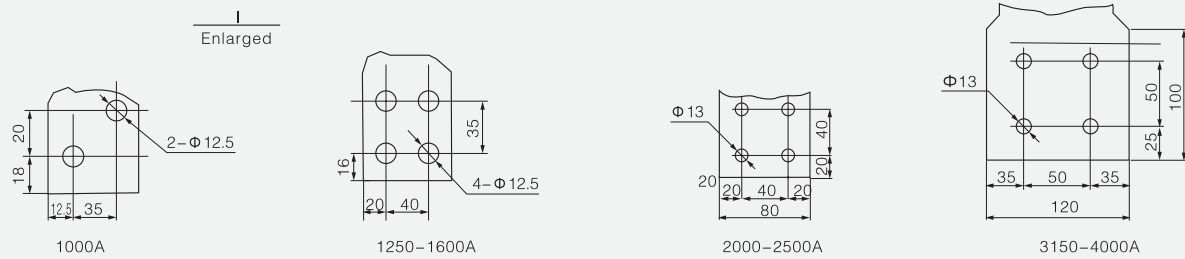
WRDGL Z-125-1600A Overall And Mounting Size Of Changeover Load Isolation Switch

1

ISOLATION SWITCH



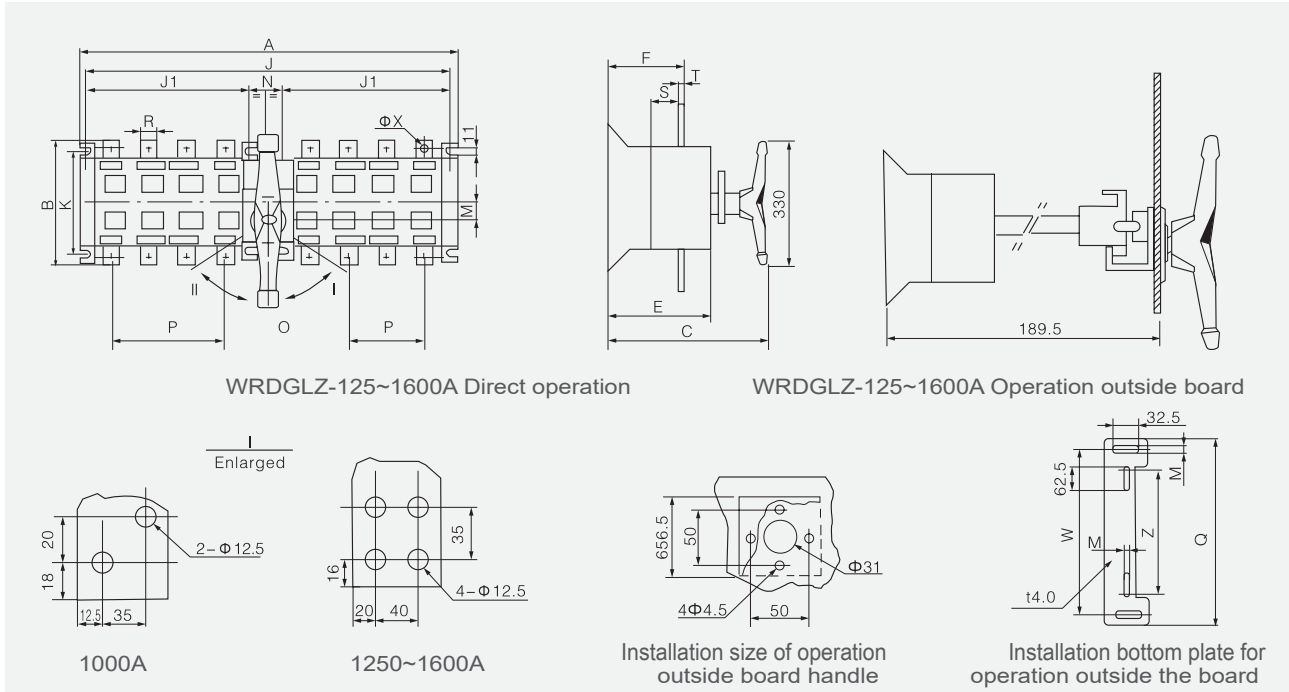
Specification	Dimension of bottom plate				
WRDGLZ-125~1600A	I	M	Z	W	Q
125A	55	6.5	95	216	244
160A	55	6.5	95	216	244
200A	55	6.5	116	216	244
250A	55	6.5	116	216	244
315-400A	60	8.5	180	280	311
500-630A	60	8.5	180	280	311
1000-1600A	60	8.5	180	280	311



Specification	Overall and mounting dimensions																			
	A	B	C	D	D1	E	J	J1	J2	K	L	P	R	S	T	U	ΦX	Y	Y1	F
125A-160A/3	270	135	212	89	195	150	120	65	120	95	7	36	20	25	3.5	115	9	55	121	59
125A-160A/4	300	135	212	104	195	150	150	65	150	95	7	36	20	25	3.5	115	9	55	121	59
200A-250A/3	307	170	260	110	215	172	160	65	160	115	11	50	25	30	3.5	140	11	70	140	76
200A-250A/4	357	170	260	135	215	172	210	65	210	115	11	50	25	30	3.5	140	11	70	140	76
315A-400A/3	372	240	297	150	275	236	210	77	210	180	13	65	32	40	5	206	11	83	192	94
315A-400A/3	432	240	297	180	275	236	275	77	275	180	13	65	32	40	5	206	11	83	192	94
500A-630A/3	372	240	297	150	275	236	210	77	210	180	13	65	32	40	6	206	11	83	192	94
500A-630A/4	432	240	297	180	275	236	275	77	275	180	13	65	32	40	6	206	11	83	192	94

WRDGLZ Series (Changeover)

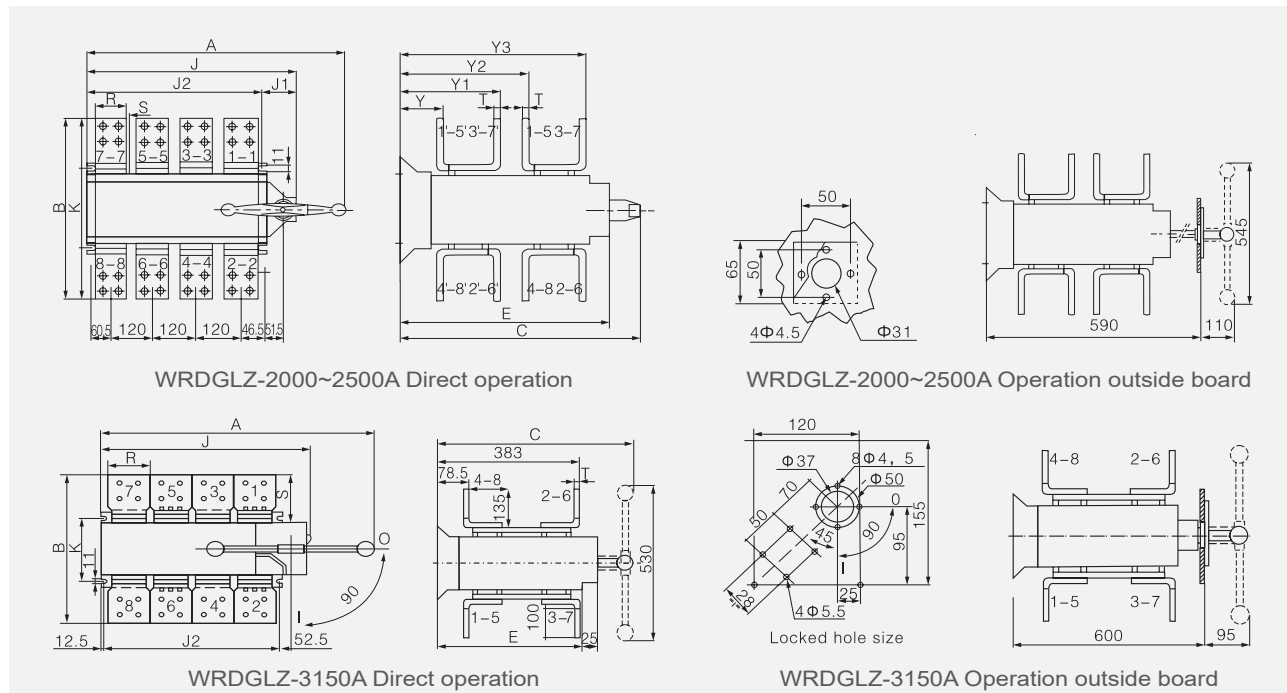
WRDGLZ-125-1600A Overall And Mounting Size Of Changeover Load Isolation Switch



Specification		Overall and mounting dimensions																
WRDGLZ125~1600A		A	B	C	E	F	J	J1	K	M	N	P	Q	R	S	T	W	Z
125-160A/3	W605222	319	85	141	89	24	299	120	65	6.5	59	36	244	20	25	3.5	216	95
125-160A/4	W605223	379	85	141	89	24	359	150	65	6.5	59	36	244	20	25	3.5	216	95
200-250A/3	W605224	405	110	146	101	25	385	160	90	6.5	65	50	244	25	30	3.5	216	116
200-250A/4	W605225	505	110	146	101	25	485	210	90	6.5	65	50	244	25	30	3.5	216	116
315-400A/3	W605226	535	160	191	126	37	515	210	140	8.5	95	65	311	32	40	5	280	180
315-400A/4	W605227	655	160	191	126	37	515	210	140	8.5	95	65	311	32	40	5	280	180
500-630A/3	W605228	535	160	191	126	37.5	515	210	140	8.5	95	65	311	40	50	6	280	180
500-630A/4	W605229	655	160	191	126	37.5	515	210	140	8.5	95	65	311	40	50	6	280	180
1000A/3	W605230	863	200	272	163	48.5	811	355	220	8.5	105	120	311	60	56	8	280	180
1000A/4	W605231	1072	200	272	163	48.5	1051	473	220	8.5	105	120	311	60	56	8	280	180
1250A/3	W605232	836	200	272	163	48.5	811	355	220	8.5	105	120	311	80	69	8	280	180
1250A/4	W605233	1072	200	272	163	48.5	1051	473	220	8.5	105	120	311	80	69	8	280	180
1600A/3	W605234	836	200	272	163	49.5	811	355	220	8.5	105	120	311	80	69	10	280	180
1600A/4	W605235	1072	200	272	163	49.5	1051	473	220	8.5	105	120	311	80	69	10	280	180

WRDGLZ Series (Changeover)

WRDGLZ-2000-3150A Overall And Mounting Size Of Changeover Load Isolation Switch



Specification	Overall and mounting dimensions																		
	A	B	C	D	D1	E	J	J1	J2	K	P	R	S	T	ΦX	Y	Y1	Y2	Y3
1000A/3 W605236	638	312	374	229	340	302	355	108.5	355	220	120	60	56	8	12.5	99	243.5		
1000A/4 W605237	758	312	374	289	340	302	473	108.5	473	220	120	60	56	8	12.5	99	243.5		
1250A/3 W605238	638	338	374	229	340	302	355	108.5	355	220	120	80	69	8	12.5	99	243.5		
1250A/4 W605239	758	338	374	289	340	302	473	108.5	473	220	120	80	69	8	12.5	99	243.5		
1600A/3 W605240	638	338	374	229	340	302	355	108.5	355	220	120	80	69	10	12.5	99.5	244		
1600A/4 W605241	758	338	374	289	340	302	473	108.5	473	220	120	80	69	10	12.5	99.5	244		
2000A/3 W605242	576	455	603	603	700	495	347	88	355	220	120	80	127.5	10	12.5	78.5	225.5	309.5	456.5
2000A/4 W605243	696	455	603	603	700	495	467	88	473	220	120	80	127.5	10	12.5	78.5	225.5	309.5	456.5
2500A/3 W605244	576	455	603	603	700	495	347	88	355	220	120	80	127.5	10	12.5	78.5	227.5	309.5	456.5
2500A/4 W605245	696	455	603	603	700	495	467	88	473	220	120	80	127.5	10	12.5	78.5	227.5	309.5	456.5
3150A/3 W605246	576	505	603	603	700	495	347	88	355	220	120	120	152.5	12	12.5	78.5	227.5	309.5	458
3150A/4 W605247	696	505	603	603	700	495	467	88	473	220	120	120	152.5	12	12.5	78.5	227.5	309.5	458

WRDGLR Series

WRDGLR Series Fuse Group Of Isolation Switch



WRDGLR series fuse group of isolation switch (called as switch for short) is a kind of multi-poles manual operation switch, adopting the glass fiber reinforced unsaturated polyester resin casing, having high dielectric performance, protective capability and safe operation.

The operation mechanism is a spring-accumulating and accelerating instant-release device, which makes instant making and breaking of the double gap contact. It is no relationship with the speed of operation handle.

It is strong humidity and resistant properties.

Model

WRD GLR □ A □ • □ C J □ B □
 ↓ ↓ ↓ ↓ ↓ ↓ ↓ ↓ ↓ ↓ ↓
 ① ② ③ ④ ⑤ ⑥ ⑦ ⑧ ⑨ ⑩

①	Company Code
②	Load isolation switch code
③	Rated current
④	Number of Pole: 3 poles; 4 poles (poles + on and off neutral pole)
⑤	Rated current for fuse-link
⑥	Side operation, no note for front operation.
⑦	Operation outside board, standard extended shaft 330mm. Mark after J with special requirements, no note for internal operation.
⑧	Auxiliary contact
⑨	Connection at back. Connection in front of board is not marked.
⑩	Form: I modular (160A-400A) II Integrated (400A-630A)

Note: F NC or NO auxiliary contact.

S NC + NO S type auxiliary contact.

U-U type auxiliary contact.

Fuse-Link Specification

Rated current for fuse group of isolation switch(A)	Rated current for fuse-link(A)	Fuse-link model
63	10, 20, 30, 40, 50, 63	00C
160	63, 80, 100, 125, 160	00
250	160	0
	200, 250	1
400	300, 315, 400	2
630	400, 500, 630	3

WRDGLR Series

WRDGLR-63A -630A/I Type Fuse Group of Isolation Switch

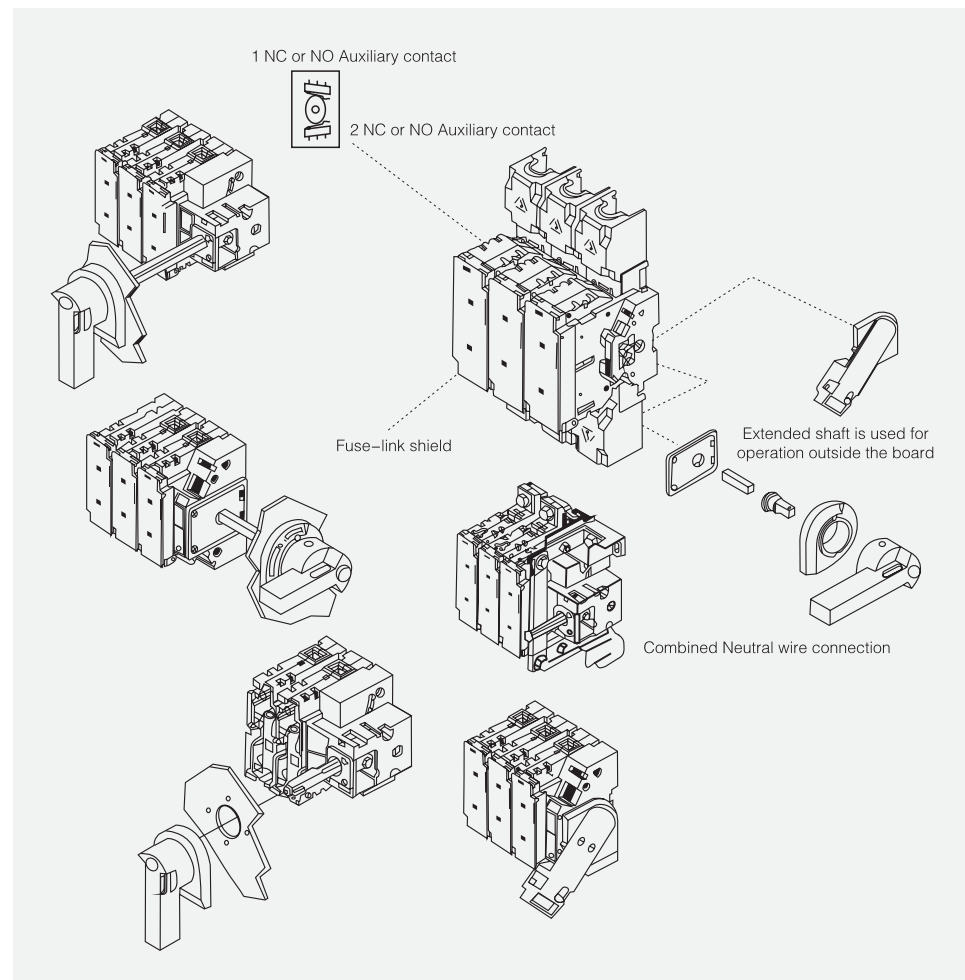


WRDGLR-63A type is of modular design structure.

Ensure load making and breaking and reliable over current and short circuit protection. Obviously visible off state. It have 2 poles, 3 poles and 4 poles (3 poles and on and off neutral pole). Total 18 specifications from 63A-630A.

WRDGLR Structure and Operation Modes

- Front direct operation: The handle is installed in the front of switch.
- Side direct operation: The handle is installed on the right side of switch.
- Front operation outside the board: The handle is installed in the front of distribution board door.
- Side operation outside the board: The handle is installed on the right side of the distribution board.

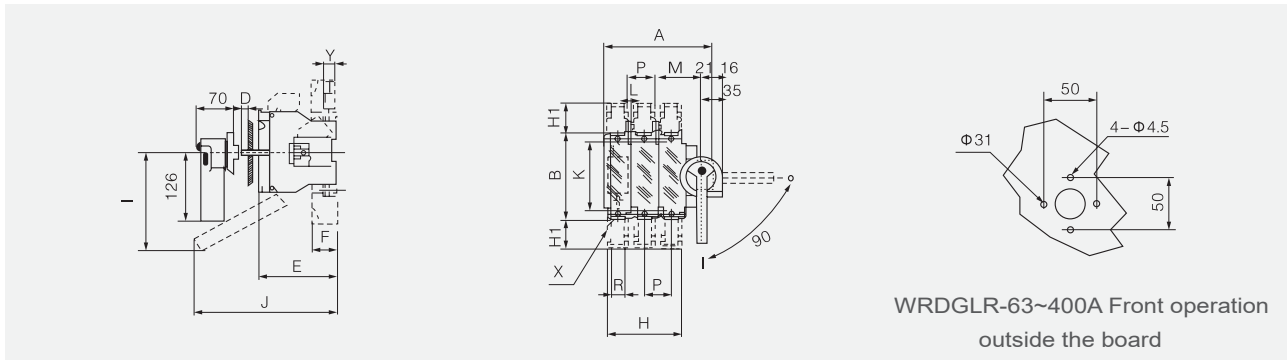


WRDGLR Series

WRDGLR-63-400A/I Overall And Mounting Size Of Fuse Group Of Isolation Switch

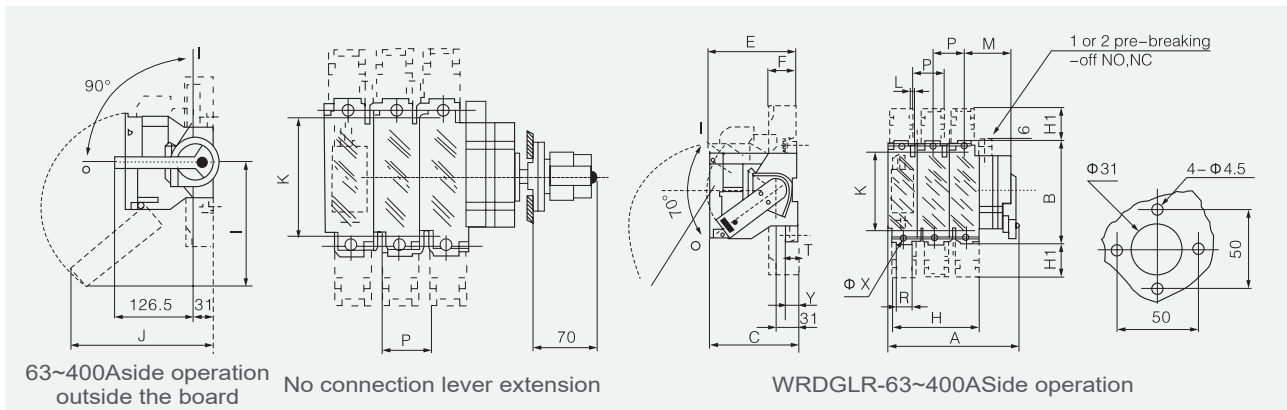
1

ISOLATION SWITCH



WRDGLR-63~400A Front operation outside the board

Specification	Fuse-link model	Ref.No.	Overall and mounting dimensions																	
			A	B	D	E	F	H	H1	I	J	K	L	M	P	R	T	Φ X	Y	
WRDGLR-63-400A																				
63A/3	0~00C	W605248	152	118	20~30	117				159	145	106	5.4	62.5	32					
63A/4	0~00C	W605249	184	118	20~30	117				159	145	106	5.4	62.5	32					
160/3	0~00	W605250	164	162	28~30	126	44	108	53	141	189	127	5.4	65	36	20	2.5	8.5	19.5	
160/4	0~00	W605251	200	162	28~30	126	44	144	53	141	189	127	5.4	65	36	20	2.5	8.5	19.5	
250/3	1	W605252	236	195	28~30	146	65	180	75	185	251	162	6.4	90.5	60	32	2.5	11	19.5	
250/4	1	W605253	296	195	28~30	146	65	240	75	185	251	162	6.4	90.5	60	32	2.5	11	19.5	
400/3	2	W605254	278	205	28~30	149	65	192	75	200	260	172	6.4	121	66	50	3	11	20	
400/4	2	W605255	344	205	28~30	149	65	258	75	200	260	172	6.4	121	66	50	3	11	20	



63~400A side operation outside the board No connection lever extension

WRDGLR-63~400A side operation

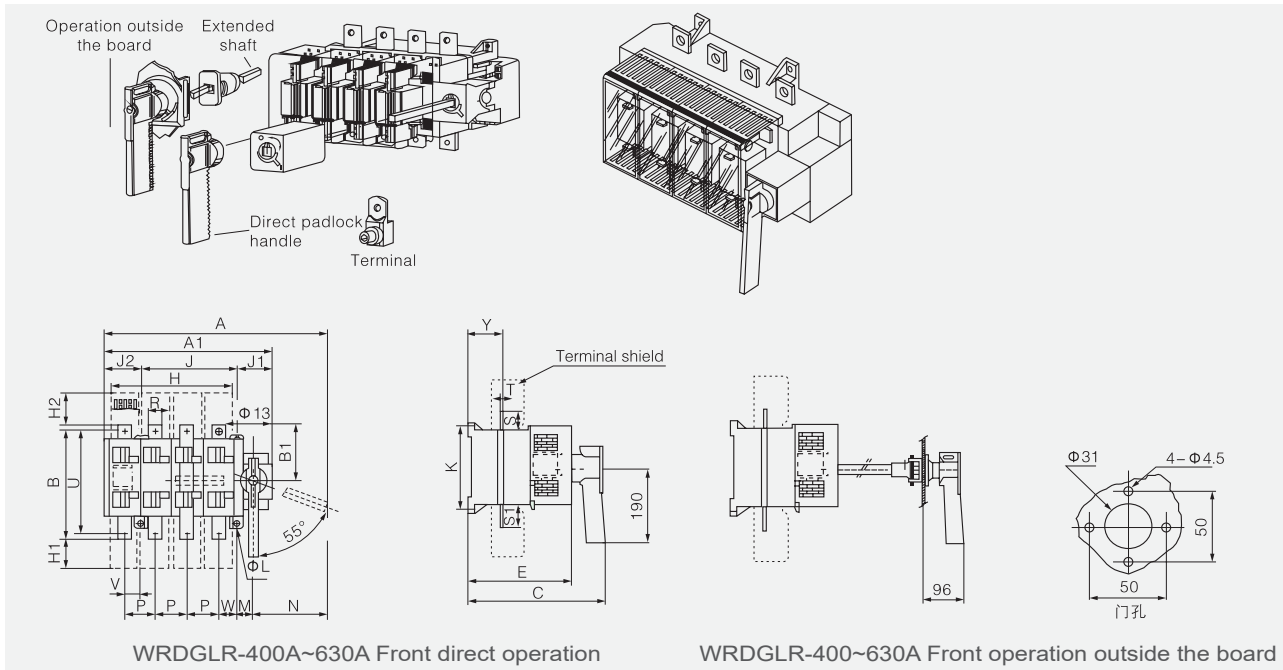
Specification	Fuse-link model	Ref.No.	Overall and mounting dimensions																		
			A	B	C	E	F	H	H1	I	J	K	L	M	P	R	T	Φ X	Y		
WRDGLR-400-630A																					
63A/3	0~00C	W605256	133	118	134	126.5		116.5		159	145	106	5.4	36	32						
63A/4	0~00C	W605257	164	118	117	126.5		116.5		159	145	106	5.4	36	32						
160/3	0~00	W605258	150	162	173	126.5	44	108	53	141	189	127	5.4	38	36	20	2.5	8.5	19.5		
160/4	0~00	W605259	186	162	173	126.5	44	144	53	141	189	127	5.4	38	36	20	2.5	8.5	19.5		
250/3	1	W605260	253	195	173	146	65	180	75	185	251	162	6.4	81	60	32	2.5	11	19.5		
250/4	1	W605261	313	195	173	146	65	240	75	185	251	162	6.4	81	60	32	2.5	11	19.5		
400/3	2	W605262	271	205	173	149	65	192	75	200	260	172	6.4	86	66	50	3	11	20		
400/4	2	W605263	337	205	173	149	65	250	75	200	260	172	6.4	86	66	50	3	11	20		

WRDGLR Series

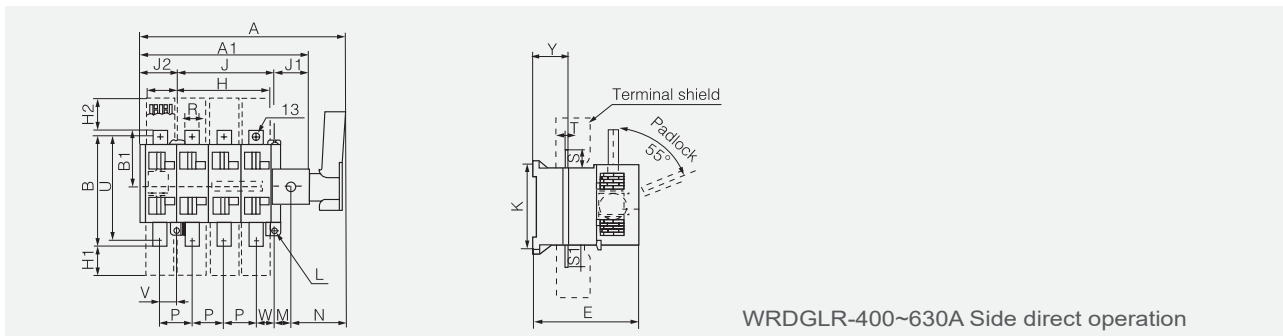
WRDGLR-400-630A/I Overall And Mounting Size Of Fuse Group Of Isolation Switch

1

ISOLATION SWITCH



Specification	Fuse-link model	Ref.No.	Overall and mounting dimensions																								
			A	A1	B	B1	C	E	H	H1	H2	J	J2	J1	K	M	N	P	R	S	S1	T	V	U	W	ΦL	Y
WRDGLR-400-630A																											
400A/3	2	W605264	414	285	238	115	307	221	190	71	79	210	70	65	180	32.5	162	65	32	35	43	5	40.5	208	39.5	7	69
400A/4	2	W605265	474	345	238	115	307	221	255	71	79	210	70	65	180	32.5	162	65	32	35	43	5	24.5	208	39.5	7	69
630A/3	3	W605266	470	345	300	150	348	268	235	85	85	250	100	76	250	38.5	162	80	50	50	50	7	45.5	260	44.5	9	72
630A/4	3	W605267	550	425	300	150	348	268	315	85	85	250	100	76	250	38.5	162	80	50	50	50	7	34.5	260	44.5	9	72



Specification	Fuse-link model	Ref.No.	Overall and mounting dimensions																								
			A	A1	B	B1	E	H	H1	H2	J	J2	J1	K	M	N	P	R	S	S1	T	V	U	W	ΦL	Y	
WRDGLR-400-630A																											
400A/3	2	W605268	500	285	238	115	221	190	71	79	210	70	65	180	32.5	119	65	32	30	43	5	40.5	208	39.5	7	69	
400A/4	2	W605269	560	345	238	115	221	255	71	79	210	70	65	180	32.5	119	65	32	30	43	5	24.5	208	39.5	7	69	
630A/3	3	W605270	550	345	300	150	268	235	85	85	250	100	76	250	38.5	119	80	50	50	50	7	45.5	260	44.5	9	72	
630A/4	3	W605271	630	425	300	150	268	315	85	85	250	100	76	250	38.5	119	80	50	50	50	7	34.5	260	44.5	9	72	



Worldwide



OUR PROMISE

Westinghouse is built upon a tradition of dependability and innovation.

Today, we strive to make everyday life a little better by offering a wide range of quality products and services you can trust.



WHY WESTINGHOUSE ?

Since 1886, Westinghouse has brought the best to life. Today, Westinghouse Electric Corporation remains a trusted name globally in consumer and industrial products. Built on a heritage of innovation and entrepreneurial spirit. Today, Westinghouse continues to grow its diverse portfolio, which includes a wide range of product categories, including home appliances, consumer electronics. Lighting and power generation.





Westinghouse

Pennsylvania , USA

Westinghouse LV MV Product sp. z o.o.

Warsaw, Poland

Westinghouse Lv Mv Product Sdn. Bhd.

Penang, Malaysia

Westinghouse LV MV Product

Dubai, UAE

Westinghouse LV MV Product

Istanbul, Turkey

WWW.westinghouselvmv.com

Email: info@westinghouselvmv.com

™ & © 2022 Westinghouse Electric Corporation. All Rights Reserved.